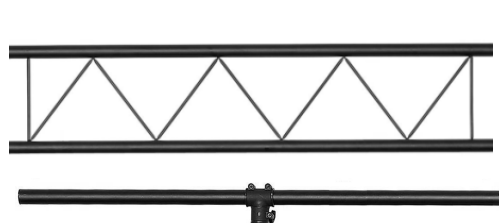


Thank you for purchasing the **Showlite LTS-100 Lightbar/Truss**. Please read this instructions carefully before starting to assemble the light bar.

Important! Overhead rigging must only be done by authorized and experienced operators. Always install an appropriate safety bond. You must only use safety bonds and quick links complying with DIN 56927, shackles complying with DIN EN 1677-1 and BGV C1 carabiners. All devices must be sufficiently dimensioned and used correctly in accordance to the latest industrial safety regulations. Make sure that all fixing screws are tightened very well. Make sure that all safety bolts are inserted.

Unpacking: Please check all parts if they are not damaged. If parts are missing or damaged it is not allowed to use the light bar. Assembly is much easier for two people (Steps 3 and 4).

Content of pack:



Truss (2 pcs)
Light top bar (2 pcs) incl. T-bar



Stand (2 pcs)
incl. 2 telescope poles



middle joint (1 pcs)
incl. 2 inner tubes



Fixing screws (4 pcs)
incl. washers and nuts



Screws for light effects (8 pcs)
incl. washers and nuts

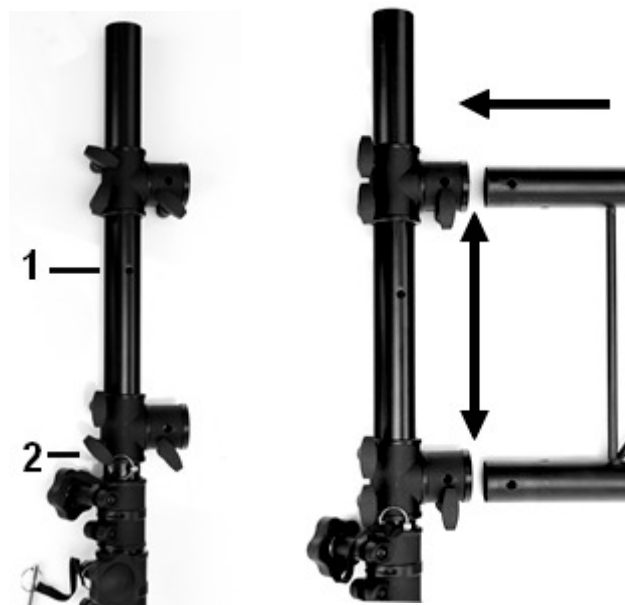


Safety bolts (8 pcs)

Step 1: Connect the 2 truss pieces with middle joint. Use the inner tubes and fixing screws - tighten them properly.



Step 2: Place the stands on flat, solid surface and draw out the higher telescope pole to adjust height. Place safety bolt to 2nd hole from top. Adjust the T-joints like shown on picture below to fit to truss.



Step 3: Set in the truss and prefix with safety bolts. Tighten the fixing screws properly.



Step 4: Assemble the top bars and adjust overall height with the telescope pipes (on both sides left/right). Use the safety bolts to protect the truss from moving back down. Tighten all fixing screws.



Step 5: You can now fix your PAR lights, light effects and/or stage curtain at top bars and truss. Overall weight load is 75kg. Max. weight load per top bar left/right is 25kg. Weight load for truss is 25kg. Make sure that the truss load is distributed evenly to the truss.

