



TX125 TX185

User Guide



- (1.0) INTRODUCTION 3**
 - (1.1) Box Contents 3
 - (1.2) Support 3

- (2.0) IMPORTANT SAFETY PRECAUTIONS..... 4**
 - (2.1) Loudspeaker Mounting 4
 - (2.2) (Optional) Attaching Casters (only on TX18S) 4
 - (2.3) Sound Level..... 4

- (3.0) SETUP 5**
 - (3.1) System Power Sequencing..... 6
 - (3.2) Connection Diagram 6

- (4.0) FEATURES 8**
 - (4.1) Rear Panel 8

- (5.0) APPENDIX..... 10**
 - (5.1) Technical Specifications 10
 - (5.2) Trademarks & Licenses 12

Thank you for purchasing the TX Sub. This guide is designed for you to get the most out of the TX Sub. We recommend you read through this guide before using the speaker.

(1.1) Box Contents

TX Sub

Power Cable (6 ft. / 183 cm)

Quickstart Guide

Safety & Warranty Manual

(1.2) Support

For this User Guide, the latest information about the product (system requirements, compatibility information, etc.), or product registration, visit altoprofessional.com.

For additional product support, visit altoprofessional.com/support.

Please note: Alto Professional and inMusic are not responsible for the use of its products or the misuse of this information for any purpose. Alto Professional and inMusic are not responsible for the misuse of its products caused by avoiding compliance with inspection and maintenance procedures. If choosing to install and use casters, you are responsible for the safe and proper installation. Alto Professional and inMusic take no responsibility if casters are used. Please also refer to the included safety and warranty manual for more information.

Caution: To reduce the risk of electric shock, do not connect the subwoofer to a power outlet while the grille is removed.

(2.1) Loudspeaker Mounting

- Always install subwoofers in accordance with applicable electrical and building codes.
- When using a pole in the pole cup on top of the subwoofer cabinet to mount a loudspeaker, ensure the pole is rated to support the loudspeaker's weight. Also, observe all safety precautions specified by the manufacturer.
- Do **not** mount multiple loudspeakers on the same pole.
- Always verify that the subwoofer is on a flat, level, and stable surface that can support the weight of the subwoofer and any mounted loudspeaker and mounting equipment.
- Inspect the subwoofer, pole, and associated hardware before each use and do not use equipment with worn, damaged, or missing parts.
- Always be cautious in windy, outdoor conditions. Do not attach banners or similar items to any part of a loudspeaker system. Such attachments could act as a sail and topple the system.
- Unless you are confident that you can handle the subwoofer's weight, ask another person to help you with any setup needs related to the subwoofer and any mounted speakers and related accessories.
- Make sure your cables are out of the way of performers, production crew, and audience so they will not trip over them, pulling the loudspeaker off the stand or pole.

(2.2) (Optional) Attaching Casters (only on TX18S)

To improve the experience of transporting the subwoofer, the TX18S comes with inserts (M6 x 1.0 mm) for easily attaching casters (not included) to the rear of the cabinet. If casters are desired, please purchase 3-inch, 76 mm x 44 mm (3.00" x 1.73") mounting pattern, 150 lbs.-rated, swivel or non-swivel casters. Please follow all installation instructions from the caster manufacturer when installing.

Note: Do not reuse the screws provided with the TX18S to install the casters. Please see the caster manufacturer's guidelines for selecting appropriate screws for M6 x 1.0 mm inserts.

(2.3) Sound Level

Permanent hearing loss may be caused by exposure to extremely high noise levels. The U.S. Occupational Safety and Health Administration (OSHA) has specified permissible exposures to certain noise levels. According to OSHA, exposure to high sound pressure levels (SPL) in excess of these limits may result in hearing loss. When using equipment capable of generating high SPL, use hearing protection while such equipment is under operation.

Hours per day	SPL (dB)	Example
8	90	Small gig
6	92	Train
4	95	Subway train
3	97	High-level desktop monitors
2	100	Classical music concert
1.5	102	Riveting machine
1	105	Machine factory
0.5	110	Airport
0.25 or less	115	Rock concert

(3.1) System Power Sequencing

Proper power sequencing will help prevent audible thumps, clicks, and other noises in the system.

Note: Read the *Safety & Warranty Manual* before using the TX Sub.

1. Turn down the output level controls on your audio sources and processors (CD players, mixers, etc.) and power them on.
2. Turn down the **Volume** knob to $-\infty$ on the TX SUB.
3. Turn on your loudspeakers.
4. Bring up the faders or level controls on your mixer and start playing your audio source.
5. Raise the **Volume** knob on the TX SUB to a comfortable level.

When powering off:

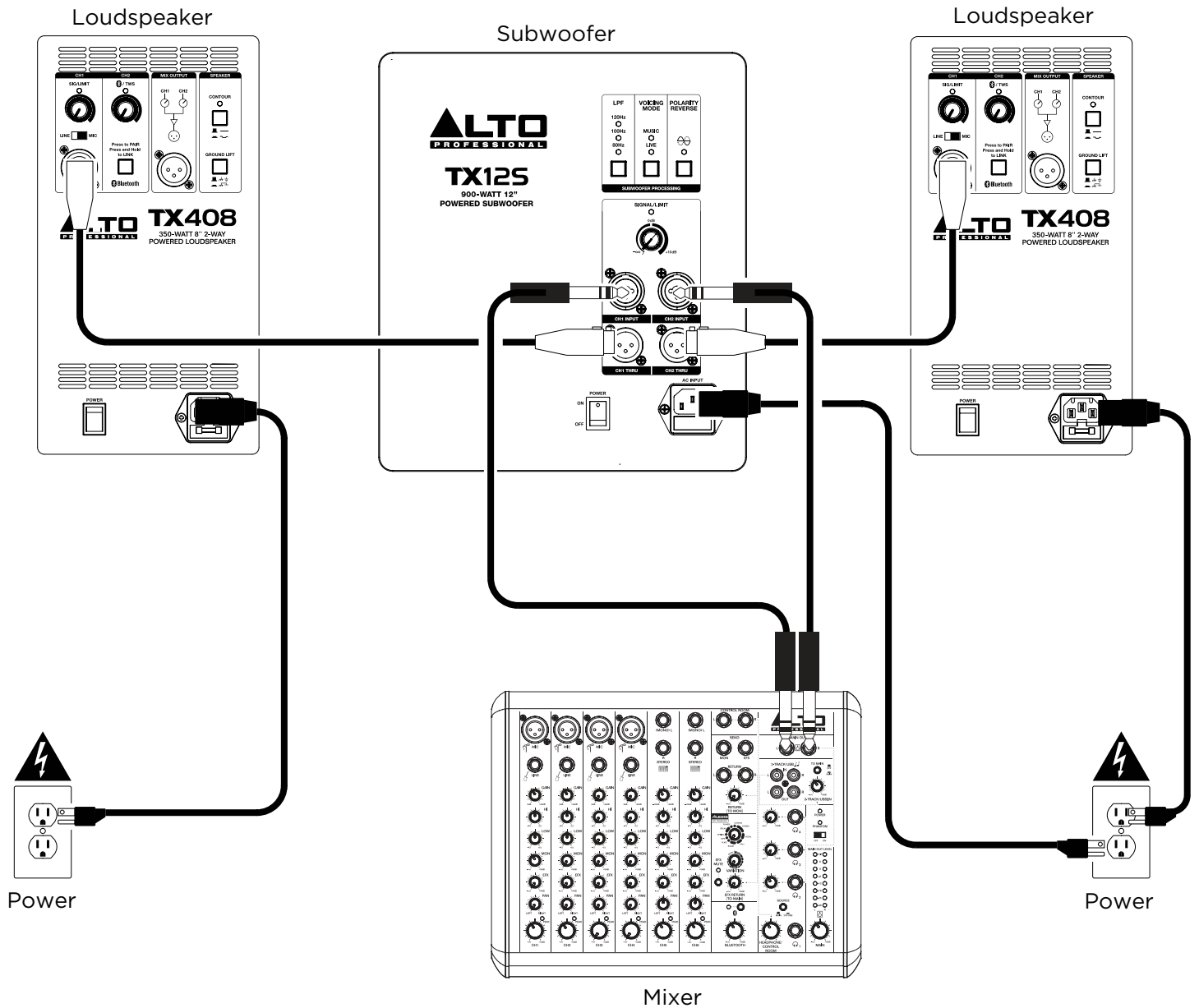
1. Turn down the TX SUB **Volume** knob to $-\infty$.
2. Power off the subwoofer.
3. Turn off all audio source devices and processors.

(3.2) Connection Diagram

Items not listed under the [\(1.1\) Box Contents](#) are sold separately.

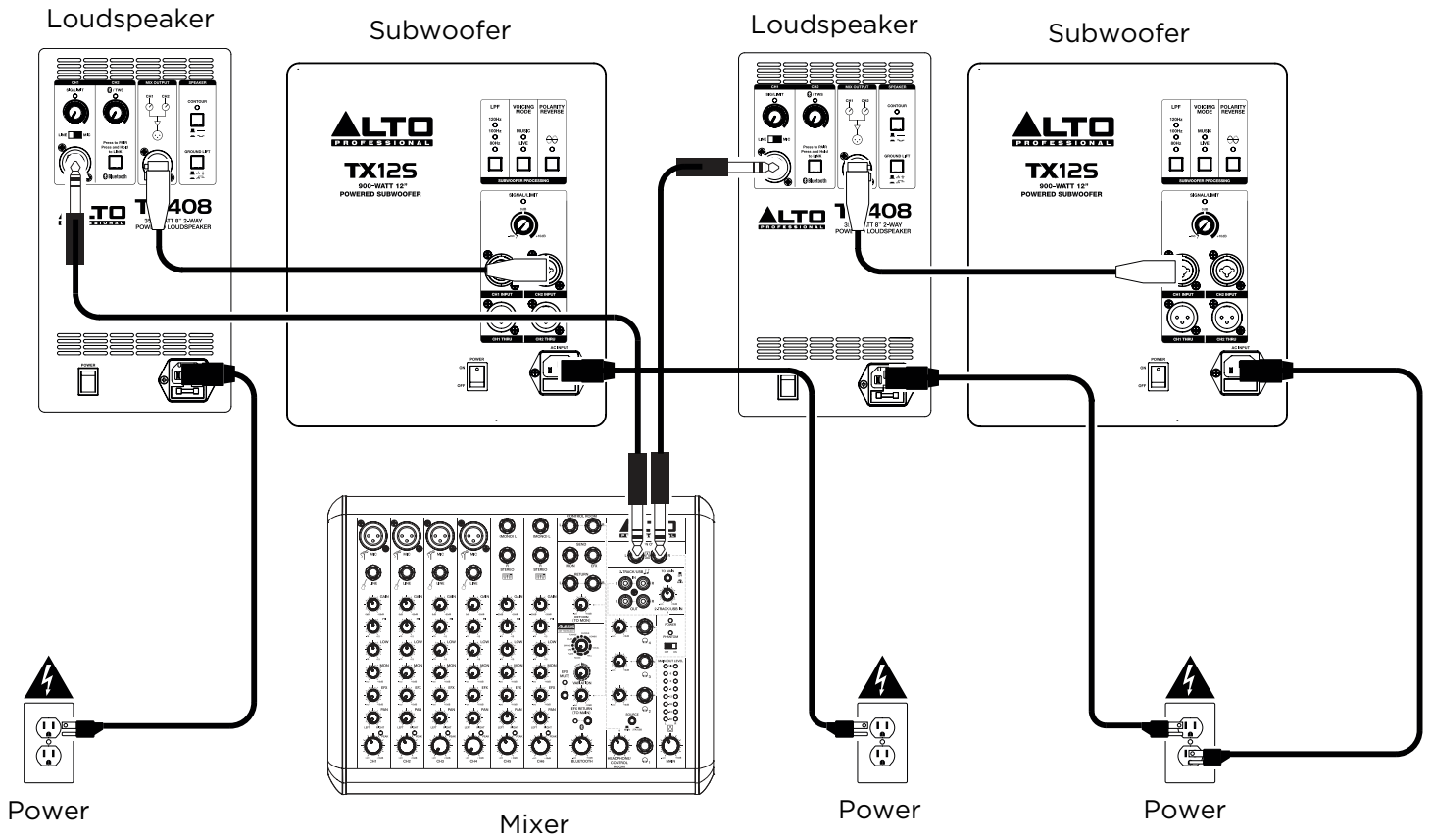
Example A: 1 Subwoofer & 2 Loudspeakers

Connect the left and right outputs of your mixer to the inputs of your subwoofer, and then connect the Thru Outputs of the subwoofer to the input of each loudspeaker.

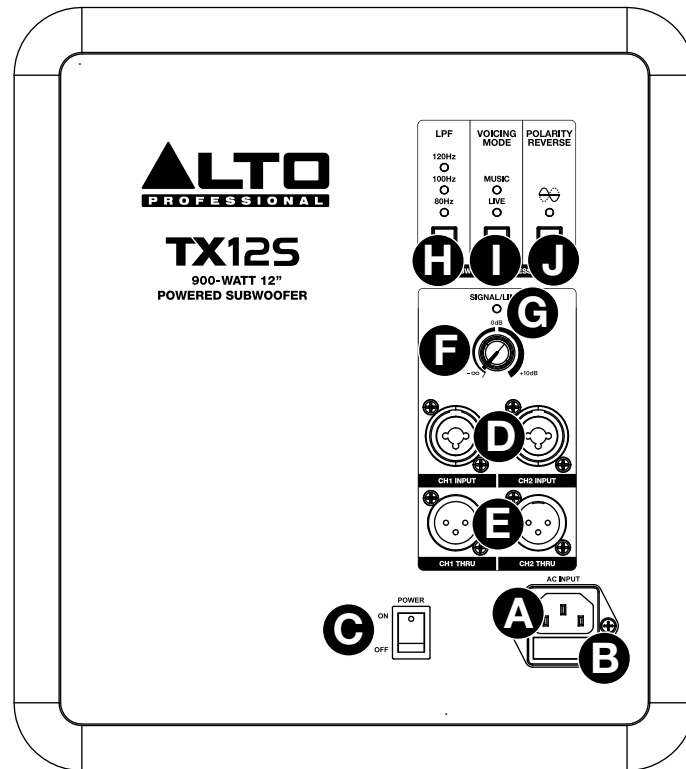


Example B: 2 Subwoofers & 2 Loudspeakers

Connect the left and right outputs of your mixer to an input on each speaker, and then connect the **Mix Output** of each speaker to an input on each subwoofer.



(4.1) Rear Panel



A. Power Input

Connect the included power cable to this input and connect the other end of the cable to a power source. Make sure the **Power Switch** is set to OFF when plugging and unplugging the cable.

B. Fuse

If the unit's fuse is broken, power off the subwoofer and disconnect it from the power outlet, and then lift this tab to replace the fuse. Replace it with a fuse that has the same rating (printed under the power switch). Using a fuse with an incorrect rating can damage the unit and/or fuse.

C. Power Switch

Use this switch to turn the subwoofer on and off. Make sure the **Volume** knob is set to “-∞” before turning it on.

D. Channel Inputs 1/2 (1/4" [6.35 mm] / XLR)

Use a standard XLR, TS, or TRS cable (not included) to connect your sound source to these inputs. **1** is the left input, and **2** is the right input.

E. Thru Outputs 1/2 (XLR)

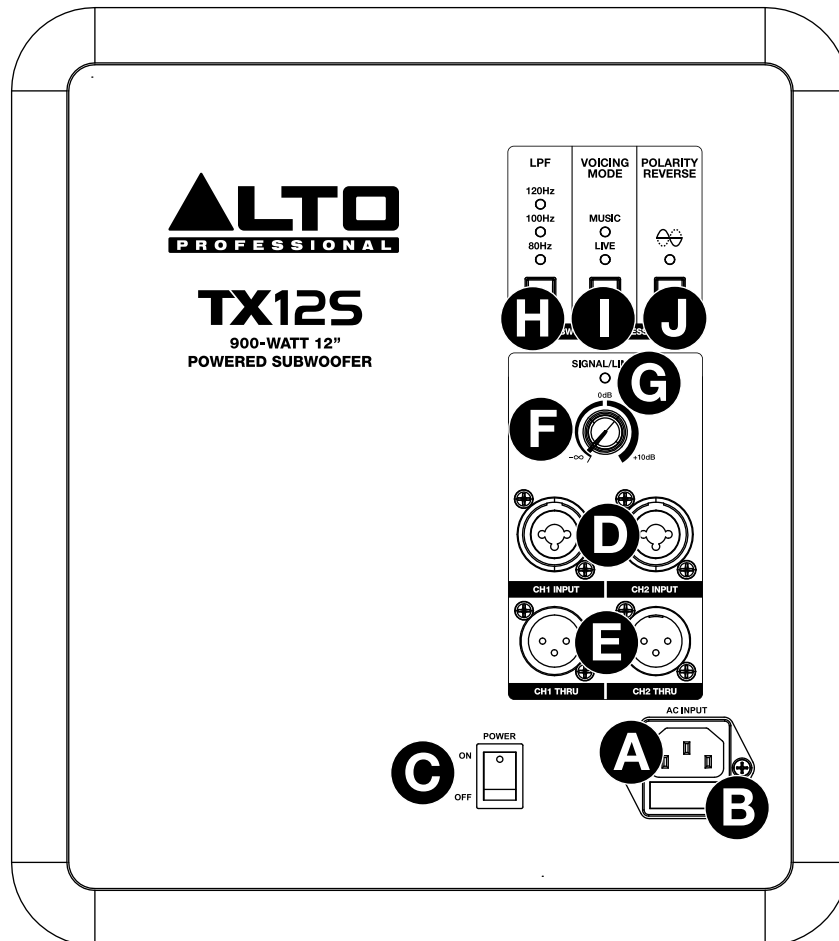
Use standard XLR cables to connect these outputs to a loudspeaker. **Input 1's** signal is sent to the left Thru Out and **Input 2's** signal is sent to the right Thru Out.

F. Volume

Turn this knob to adjust the subwoofer's output volume.

G. Signal/Limit

This LED lights up green when an audio signal is sent to the subwoofer—it flashes at lower levels and lights solidly at higher levels. The LED lights up red when output limit/protection is active—if the LED is lit red continuously, reduce the volume of your audio source.



H. LPF

Press this button to select the center frequency of the Low-Pass Filter: 120 Hz, 100 Hz, or 80 Hz.

I. Voicing Mode

Press this button to select the front-end EQ applied to the signal:

- MUSIC (enhanced low-frequency bump).
- LIVE (slightly less extreme low-frequency with enhanced 60 Hz - 80 Hz for kick drum and bass guitar emphasis).

Once you have selected a setting, the corresponding LED will be lit.

J. Polarity Reverse

Press this button to reverse the phase of the subwoofer output to compensate for low-frequency cancellation.

This button defines how the subwoofer is going to interact with your main front speakers. Play music that has some bass and mid-bass content in it. Listen to the music playing with the setting in one position, and then switch it to the other position and listen again. Use the better setting that gives you fuller and slightly louder bass in your room.

(5.1) Technical Specifications

TX12S

Line Inputs CH1/CH2	
Connector	XLR/TRS combo input connector (line is TRS only)
Dynamic Range	108 dB (A-weighted)
THD +N (% , -1 dBFS input)	<0.01%
Maximum Input Level	+16 dBu
Gain Range	24 dB
Frequency Response	20 Hz - 20 kHz (+/- 0.1 dB)
Input Impedance	20k Ω
CH1/CH2 Thru	
Connector	XLR output connector
Frequency Response	20 Hz - 20 kHz (+/- 0.1 dB)
Output Level (for 0.5% THD)	Fixed +10 dBu
Input Impedance (unbalanced)	100 Ω
General	
Output Power	900 watts (peak), Class D power
Frequency Response	46 Hz - 115 Hz (-3dB)
Maximum SPL	126 dB
Low Frequency Driver	12.0" (305 mm) woofer / 2.0" (51 mm) voice coil
User Low Pass Filter	80 Hz, 100 Hz, 120 Hz (24 dB per octave)
Low Frequency Extension	HPF 50 Hz (default) and 45 Hz (extension on)
Polarity	180° phase inversion
Enclosure	Internally braced MDF cabinet, splatter spray finish, metal grille
Mounting	36 mm pole socket
Power	Connection: Standard IEC cable Input Voltage: 100-120, 50/60 Hz; 220-240 VAC 50/60 Hz Consumption: 500 W Fuse: 110-120V T6.3 AL AC250V; 220-240V T3.15AL AC250V
Dimensions (height x width x depth)	20.0" x 15.9" x 15.9" / 510 x 405 x 405 mm
Weight	49.3 lbs / 22.4 kg

TX18S

Line Inputs CH1/CH2	
Connector	XLR/TRS combo input connector (line is TRS only)
Dynamic Range	108 dB (A-weighted)
THD +N (% , -1 dBFS input)	<0.01%
Maximum Input Level	+16 dBu
Gain Range	24 dB
Frequency Response	20 Hz - 20 kHz (+/- 0.1 dB)
Input Impedance	20k Ω
CH1/CH2 Thru	
Connector	XLR output connector
Frequency Response	20 Hz - 20 kHz (+/- 0.1 dB)
Output Level (for 0.5% THD)	Fixed +10 dBu
Input Impedance (unbalanced)	100 Ω
General	
Output Power	900 watts (peak), Class D power
Frequency Response	36 Hz - 115 Hz (-3dB)
Maximum SPL	126 dB
Low Frequency Driver	18.0" (457 mm) woofer / 3.0" (76 mm) voice coil
User Low Pass Filter	80 Hz, 100 Hz, 120 Hz (24 dB per octave)
Low Frequency Extension	HPF 50 Hz (default) and 45Hz (extension on)
Polarity	180° phase inversion
Enclosure	Internally braced MDF cabinet, splatter spray finish, metal grille
Mounting	36 mm pole socket
Power	Connection: Standard IEC cable Input Voltage: 100-120, 50/60 Hz; 220-240 VAC 50/60 Hz Consumption: 500 W Fuse: 110-120V T6.3 AL AC250V; 220-240V T3.15AL AC250V
Dimensions (height x width x depth)	23.0" x 23.0" x 23.0" / 585 x 585 x 585 mm
Weight	87.7 lbs / 39.8 kg

Specifications are subject to change without notice.

Bluetooth and wireless reception and range are affected by walls, obstructions, and movement. For optimal performance, place the product in the center of the room so it is unobstructed by walls, furniture, etc. Battery life may vary based on temperature, age, and volume usage of product.

(5.2) Trademarks & Licenses

Alto Professional is a trademark of inMusic Brands, Inc., registered in the U.S. and other countries. All other product names, company names, trademarks, or trade names are those of their respective owners.

altoprofessional.com