

# **BT-H<sub>2</sub>FOG** **COMPACT 2**



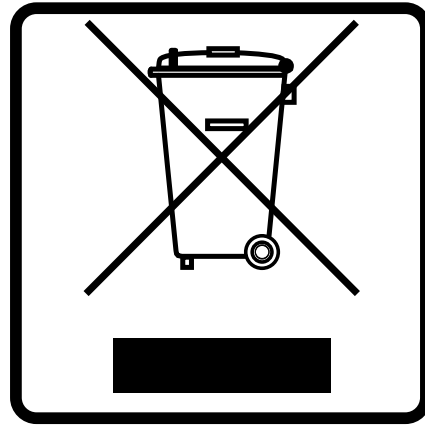
## **ENGLISH** **Operation Manual**

Other languages can be downloaded from:  
[WWW.BRITEQ-LIGHTING.COM](http://WWW.BRITEQ-LIGHTING.COM)



*Version: 1.0*





### **EN - DISPOSAL OF THE DEVICE**

Dispose of the unit and used batteries in an environment friendly manner according to your country regulations.

### **FR - DÉCLASSER L'APPAREIL**

Débarrassez-vous de l'appareil et des piles usagées de manière écologique Conformément aux dispositions légales de votre pays.

### **NL - VERWIJDEREN VAN HET APPARAAT**

Verwijder het toestel en de gebruikte batterijen op een milieuvriendelijke manier conform de in uw land geldende voorschriften.

### **DU - ENTSORGUNG DES GERÄTS**

Entsorgen Sie das Gerät und die Batterien auf umweltfreundliche Art und Weise gemäß den Vorschriften Ihres Landes.

### **ES - DESHACERSE DEL APARATO**

Reciclar el aparato y pilas usadas de forma ecologica conforme a las disposiciones legales de su país.

### **PT - COMO DESFAZER-SE DA UNIDADE**

Tente reciclar a unidade e as pilhas usadas respeitando o ambiente e em conformidade com as normas vigentes no seu país.

# OPERATION MANUAL

Thank you for buying this Briteq® product. To take full advantage of all possibilities and for your own safety, please read these operating instructions very carefully before you start using this unit.

## FEATURES

- Ultrasonic 1250W Low Fog machine.
- The powerful ultrasonic element converts the combination of smoke fluid and distilled water into a large amount of beautiful low-lying fog.
- No more hassle with expensive and hard to find CO<sub>2</sub> dry ice !
- The black hose is equipped with a "fast click-on" system to significantly reduce installation time!
- Adjustable fog output and fan speed:
  - Via 2 DMX channels
  - Via the on board control panel with LCD-display and timer
- Prepared for wireless DMX: just plug-in an optional WTR-DMX DONGLE ! (Briteq® code: B04645)
- Wireless RF remote included

## BEFORE USE

- Before you start using this unit, please check if there's no transportation damage. Should there be any, do not use the device and consult your dealer first.
- **Important:** This device left our factory in perfect condition and well packaged. It is absolutely necessary for the user to strictly follow the safety instructions and warnings in this user manual. Any damage caused by mishandling is not subject to warranty. The dealer will not accept responsibility for any resulting defects or problems caused by disregarding this user manual.
- Keep this booklet in a safe place for future consultation. If you sell the fixture, be sure to add this user manual.

### Check the contents:

Check if the carton contains the following items:

- Operating instructions
- Power cable
- BT-H2FOG COMPACT 2
- Flexible output hose + Mouthpiece
- Wireless remote controller

## SAFETY INSTRUCTIONS:



**CAUTION**  
RISK OF ELECTRIC SHOCK  
DO NOT OPEN



**CAUTION:** To reduce the risk of electric shock, do not remove the top cover. No user-serviceable parts inside. Refer servicing to qualified service personnel only.



The lightning flash with arrowhead symbol within the equilateral triangle is intended to alert the user or the presence of un-insulated "dangerous voltage" within the product's enclosure that may be of sufficient magnitude to constitute a risk of electric shock.



The exclamation point within the equilateral triangle is intended to alert the user to the presence of important operation and maintenance (servicing) instructions in the literature accompanying this appliance.



This symbol means: indoor use only.



This symbol means: Read instructions.

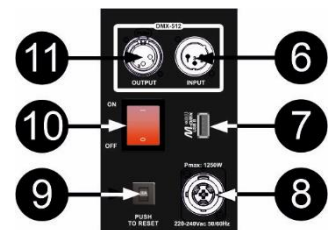
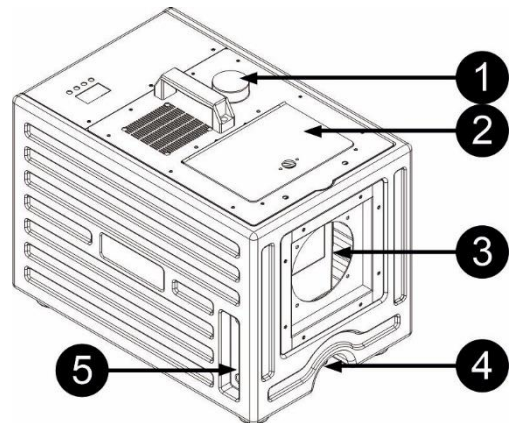
- To protect the environment, please try to recycle the packing material as much as possible.
- To prevent fire or shock hazard, do not expose this appliance to rain or moisture.
- To avoid condensation to be formed inside, allow the unit to adapt to the surrounding temperatures when bringing it into a warm room after transport. Condensation sometimes prevents the unit from working at full

performance or may even cause damages.

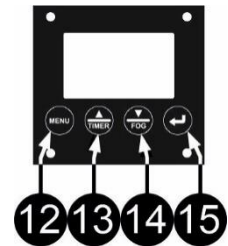
- This unit is for indoor use only.
- Don't place metal objects or spill liquid inside the unit. Electric shock or malfunction may result. If a foreign object enters the unit, immediately disconnect the mains power.
- Locate the unit in a well ventilated spot, away from any flammable materials and/or liquids.
- Don't cover any ventilation openings as this may result in overheating.
- Prevent use in dusty environments and clean the unit regularly.
- Keep the unit away from children.
- Inexperienced persons should not operate this device.
- Maximum save ambient temperature is 40°C. Don't use this unit at higher ambient temperatures.
- The units' surface temperature may reach up to 85°C. Don't touch the housing with bare hands during its operation.
- Make sure to always place the unit on a stable surface, never install the fogger above the audience, a little liquid can always drip from the fog output.
- Allow the device about 10 minutes to cool down before you start servicing.
- Always unplug the unit when it is not used for a longer time or before you start servicing.
- Check that the available voltage is not higher than the one stated on the rear panel of the unit.
- The power cord should always be in perfect condition. Switch the unit immediately off when the power cord is squashed or damaged. It must be replaced by the manufacturer, its service agent or similarly qualified persons in order to avoid a hazard.
- Never let the power-cord come into contact with other cables!
- This unit must be earthed in order comply with safety regulations.
- In order to prevent electric shock, do not open the cover.
- **Never** repair a fuse or bypass the fuse holder. **Always** replace a damaged fuse with a fuse of the same type and electrical specifications!
- In the event of serious operating problems, stop using the fixture and contact your dealer immediately.
- The housing must be replaced if they are visibly damaged.
- Please use the original packing when the device is to be transported.
- Due to safety reasons it is prohibited to make unauthorized modifications to the unit.

**DESCRIPTION:**

1. **FOG FLUID TANK:** The fog fluid tank should be filled up with specific low fog fluid. Attention: don't spill liquid on the unit; it could seep through and damage the electronics.
2. **WATER TANK COMPARTMENT:** this is the big water tank where a powerful piezo element is mounted on the bottom.
3. **HOSE WITH FAST COUPLER:** the fogger comes with an extendable PVC hose to evacuate the produced low fog. The hose is fixed to the fogger with a very easy "twist and click" bayonet coupler. Simply stretch the hose out and place it on the floor so that the low fog can flow over the stage.
4. **WATER EVACUATION TAP:** used to drain the water tank. Don't forget to close it when you fill up the tank 😊
5. **WATER LEVEL indicator:** the water level should be in the OK field, but below the red MAX line.
6. **DMX INPUT:** male 3pin XLR-connector used to connect the unit with the DMX controller or with the previous unit in the DMX chain.
7. **M-DMX INPUT:** Please note that this USB-connector is NOT used for firmware updates or to connect the unit to a PC! Instead this USB-connector makes it very easy to add wireless DMX to the unit! Just add the (optional) WTR-DMX DONGLE from BRITEQ® and you will get wireless DMX! Moreover you will be able to connect other DMX-controlled equipment to the DMX-output so you can share the wireless DMX function with all connected units! No extra settings to be made in the setup menu, just follow the procedure in the user manual supplied with the WTR-DMX DONGLE from BRITEQ®. The separate WTR-DMX DONGLE is available from WWW.BRITEQ-LIGHTING.COM (order code: B04645)
8. **MAINS INPUT:** connect the supplied mains cable here. The cable should be plugged in a mains wall socket with earth connection.



9. **AUTOMATIC CIRCUIT BREAKER:** if this beaker fails, please inspect the unit well before you press the breaker to re-activate it again. If the problem occurs again, stop using the machine and bring it in for technical repair.
10. **POWER SWITCH:** Used to switch the unit on/off.
11. **DMX OUTPUT:** female 3pin XLR-connector used to connect the unit with the next unit in the DMX chain.
12. **[MENU] Button:** used to browse the setup menu (see next chapter)
13. **[TIMER/▲] Button:** used to increase the value of the selected parameter or to activate the timer of the unit. The fogger will work automatically.
14. **[FOG/▼] Button:** used to decrease the value of the selected parameter.
15. **Back Button:** used to stop the timer or manual operation of the fogger.



## OPERATING INSTRUCTIONS

### !!! IMPORTANT !!!

The water tank **MUST** be filled with water before use!  
 It is highly recommended to use decalcified or distilled water!  
 The markings for min/max water levels must be respected!

► Empty the water tank and fog liquid tank before each transport and after each use ◀

- Put the fogger on a flat and very stable surface.
- Use low fog liquid to fill up the fog fluid compartment. Close it when finished to prevent dirt to enter the reservoir!
- Fill up the water tank with distilled or decalcified water. Check the level indication on the outside of the water tank (5): fill the tank until the water level is in the OK field and below maximum line. (max +/- 7.5 liters).
- Connect the fogger to a mains wall socket with earth connection
- Switch the fogger on and wait for about 2 to 3 minutes. (warm up time)
- You can now use the machine via the build-in timer or it can be controlled by DMX. (see below)

### SETUP MENU

The setup menu is used to adjust the different parameters of the fogger.

The **[MENU]** button is used to browse the options of the setup menu:

- A. **[DMX Addr]** press the ▲/▼-buttons (13+14) to adjust the DMX-address.
- B. **[FAN SPEED xxx%]** press the ▲/▼-buttons (13+14) to adjust the fan speed (1-100%) while the fogger is used in manual or in timer mode.
- C. **[VOLUME OUT xxx%]** press the ▲/▼-buttons (13+14) to adjust the output volume (1-100%) while the unit is used in manual / timer mode.
- D. **[INTERVAL xxxs]** press the ▲/▼-buttons (13+14) to adjust the interval time (10s→255s) while the fogger is used in timer mode.
- E. **[DURATION SET xxxs]** press the ▲/▼-buttons (13+14) to adjust the fog duration time (10s→255s) while the fogger is used in timer mode.
- F. **[F.Sensor ON]** press the ▲/▼-buttons (13+14) to switch the fluid sensor ON or OFF (we recommend to have it switched ON)
- G. **[Wireless ON]** press the ▲/▼-buttons (13+14) to switch the wireless remote receiver ON or OFF. When the wireless remote is not used, we recommend to switch the receiver OFF

### Controlled via DMX:

- Connect the unit to the DMX-line or use the WTR-DMX DONGLE for a wireless DMX setup.
- Press the **[MENU]** button until the DMX address appears on the display
- Use the ▲/▼ buttons to set the desired DMX address.
- The unit uses 2 DMX channels:
  - **Channel 1:** volume control (000-005: no output 006-255: volume 1→100%)
  - **Channel 2:** fan speed (000-005: fan off 006-255: fan speed 1→100%)

### Controlled via the internal timer:

In this mode the fogger is not connected to a DMX-controller.

- First set the fan speed, volume, interval & duration time (see "setup menu" points B to E)
- Press the **Back** button (15) to be sure that the fogger is in STOP mode.
- Press the **[TIMER/▼]**-button (14) to start the timer function.

- Press the **Back** button (15) to stop the timer function.

#### **Manual Control:**

In this mode the fogger is not connected to a DMX-controller.

- First set the desired fan speed, and volume (see “setup menu” points B to C)
- Press the **Back** button (15) to be sure that the fogger is in STOP mode.
- Press the **[FOG/▲]**-button (13) to start the fog production.
- Press the **Back** button (15) to stop the fog function.

#### **Controlled via the Wireless Remote:**

In this mode the fogger is not connected to a DMX-controller.

- First set the desired fan speed, and volume (see “setup menu” points B to C)
- Press the **Back** button (15) to be sure that the fogger is in STOP mode.
- Check if the wireless receiver mode is switched ON in the unit.
- You can now use the wireless remote controller to start (button A) and stop (button B) the fog production.

Important: don't forget to pull out the antenna of the wireless remote controller for a better signal transmission.



## TRANSPORT INSTRUCTIONS

- Always empty the big water tank before transport: open the water evacuation tap (4) on the bottom of the fogger.
- To avoid spilling fog fluid: make sure that the fog liquid canister is not more than half full during transport.
- **DO NOT TIP THE UNIT!!!**

## MAINTENANCE

We strongly recommend internal cleaning to be carried out by qualified personnel!

## SPECIFICATIONS

This device carries the prescribed CE marking. It was tested for this purpose in a specialized CE lab and fully complies with all currently valid European and national standards.

The corresponding CE conformity declarations can be found on the product page of this product on our website.

<b>Mains Input:</b>	AC 220-240V, 50/60Hz
<b>Power consumption:</b>	1250 Watt
<b>DMX Channels:</b>	2
<b>Fuse:</b>	8A
<b>Warm up time:</b>	3 min
<b>Fog liquid tank:</b>	1.8L
<b>Water tank:</b>	7.5 liters
<b>Fog liquid consumption:</b>	1-30 ml/min
<b>Output volume:</b>	100m <sup>3</sup>
<b>Recommended Fluid:</b>	Low fog fluid
<b>Dimensions (L x W x H):</b>	465 x 310 x 400 mm
<b>Weight:</b>	15.65 kg

All the information is subject to change without prior notice

You can download the latest version of this user manual on our website: [www.briteq-lighting.com](http://www.briteq-lighting.com)







## MAILING LIST

**EN: Subscribe today to our mailing list for the latest product news!**

**FR: Inscrivez-vous à notre liste de distribution si vous souhaitez suivre l'actualité de nos produits!**

**NL: Abonneer je vandaag nog op onze mailinglijst en ontvang ons laatste product nieuws!**

**DE: Abonnieren Sie unseren Newsletter und erhalten Sie aktuelle Produktinformationen!**

**ES: Suscríbete hoy a nuestra lista de correo para recibir las últimas noticias!**

**PT: Inscreva-se hoje na nossa mailing list para estar a par das últimas notícias!**

**[WWW.BRITEQ-LIGHTING.COM](http://WWW.BRITEQ-LIGHTING.COM)**

**Copyright © 2024 by BEGLEC NV**

't Hofveld 2C ~ B1702 Groot-Bijgaarden ~ Belgium

Reproduction or publication of the content in any manner, without express permission of the publisher, is prohibited.