

# STAGECAPTAIN

— STRONG  THINGS —

## Stagecaptain HDR-1537 Heavyrack Design Storage Rack

ArtNr.: 00091270 Version 05/2024



All technical data and appearances are subject to change without notice. All information was correct at the time of going to press. Musikhaus KIRSTEIN GmbH does not guarantee the accuracy or completeness of the descriptions, photographs or statements contained in this manual. Printed colours and specifications may differ slightly from the product. Musikhaus KIRSTEIN GmbH products are only sold through authorised distributors. Distributors and dealers are not representatives of Musikhaus KIRSTEIN GmbH and are not authorised to legally bind Musikhaus KIRSTEIN GmbH in any way.

Thank you for choosing our shelf. To ensure that you are fully satisfied with this product, please read carefully and understand this instruction manual before using our product. Keep these operating instructions in a safe place. The operating instructions must be passed on to all subsequent users.



Please observe the safety instructions!



**WARNING**

The signal word **WARNING** indicates hazards that can lead to serious injuries if no precautionary measures are taken.



**NOTE**

All person-related formulations in these operating instructions are to be regarded as gender-neutral.

These operating instructions apply to persons who have been supervised or instructed in the operation of the item by a person responsible for their safety.

All information in these operating instructions has been checked to the best of our knowledge and belief. However, neither the author nor the publisher can be held liable for any damage in connection with the use of these operating instructions.

Other product, brand and company names mentioned in this document may be the trademarks of their respective owners. Compliance with all applicable copyright laws is the responsibility of the user of this document.



**WARNING**

## Detailed safety instructions:

Read the assembly instructions carefully before assembly.

### **Use work gloves for assembly to protect your hands!**

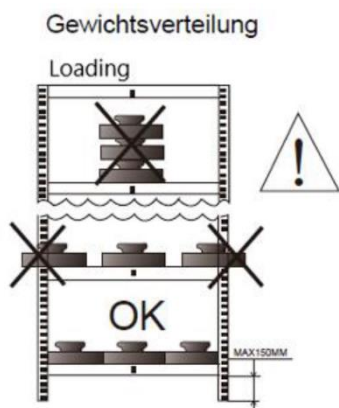
Check all parts for any damage. To avoid scratches, mount the shelf on a clean and level surface, ideally place a carpet underneath. Only place the shelf on a level surface. Otherwise, stability and max. load are not guaranteed.

We recommend 2 people for safe and quick assembly.

### **Please also observe the following safety instructions to avoid malfunctions, damage or injuries:**

- The shelf edges and braces are manufactured with the greatest possible care. Nevertheless, the parts may have unclean edges or metal or paint chips that can cause injuries. Please exercise caution. (Wear work gloves!)
- This item is not a children's toy. Do not allow your children to play with the item unsupervised. Climbing and tugging on the shelf can cause objects to tip over, fall over or fall down and cause serious injuries.

**WARNING**



Please only load the shelf in such a way that the objects placed in it stand securely and cannot fall down. Do not overload the shelf.

Improper or wobbly assembly can cause the shelf to break or fall over and cause injury.

The maximum load per shelf level is 80 kg! (Please note the graphic on the left for safe weight distribution).

- Do not misuse this product. Improper use may result in damage and injury.
- Make sure that the room in which the shelf is to be placed is not too damp. High humidity can damage the wooden floors and the metal and cause instability.
- Please clean the shelf only with a duster or slightly damp cloth and by hand. Please do not clean the parts with aggressive cleaning agents.
- Check the shelf regularly for damage and firm stand.

## Structure

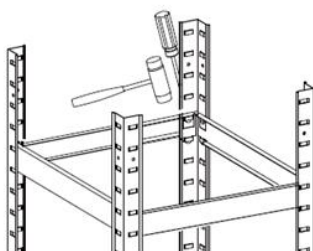
### Box content

A		5x	B		4x	C		20x
D		8x	E		8x		Tool is not included	
							Tool is not included	

**Wooden shelves (A):** depending on the shelf model, these 5 shelves are rectangular or square. The special thing about our Stagecaptain shelf is that the top and bottom of the shelves have different wood veneers. Depending on your personal taste or the style of your room environment, you can choose to visibly use the light or dark surface.

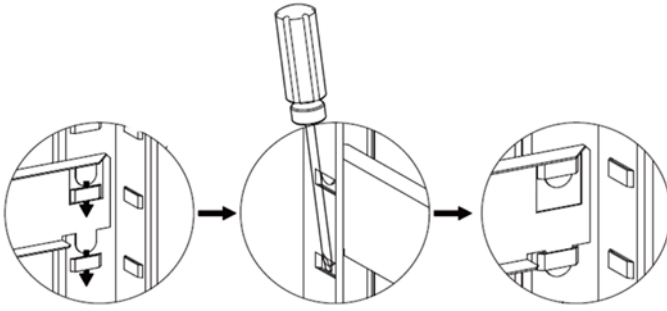
**NOTE**

The edges of the veneered wooden floors are quite sensitive to breakage or splintering. When handling, take care to avoid knocks, bumps or falling down.



Use a rubber mallet and, if necessary, a slotted screwdriver (both are not included in the scope of delivery) to insert and fix the 20 **cross connections (C)** into the **vertical long struts (B)**. The distance between the 5 shelves can be chosen flexibly, but for reasons of stability, make sure that the lowest shelf closest to the floor is max. 150 mm above the floor.

Normally, the "tongues" on the cross struts slip into the "tabs" provided for this purpose on the inside of the long upright struts. If there is some resistance when inserting/knocking the metal parts into the recesses provided for this purpose on the vertical struts, use a screwdriver with a flat tip and push the inner tab apart slightly from the outside. This makes it easier for the tongue on the cross strut to slide into the tab provided for it. (See graphic below)



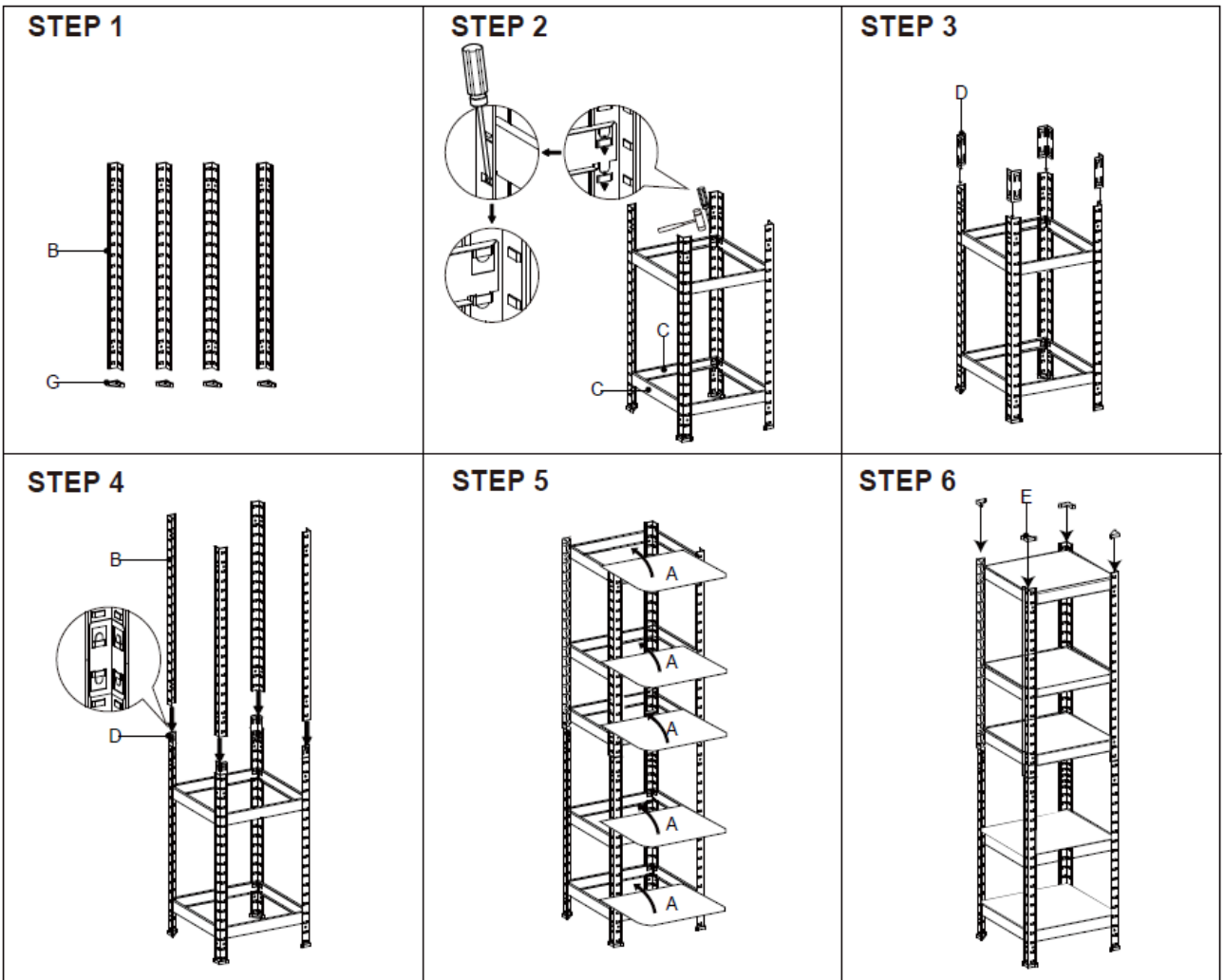
**Connecting clamp "D" (See diagram step 3+4)**

Use the 4 connecting clips (D) to put the 4 upper vertical braces ("B") on the already installed 4 lower long braces

**Cover caps (E)**

Use the 8 black triangular plastic caps to attach them to the metal edges as explained in the diagram ("Step 1 and 6) on the 4 feet and the 4 top edges of the shelf.

**Step-by-step assembling process**



Musikhaus Kirstein GmbH, Bernbeurener Str. 11, D-86956 Schongau, Germany

Telefon: 08861 / 90 94 94-0, E-Mail: [info@kirstein.de](mailto:info@kirstein.de), [www.kirstein.de](http://www.kirstein.de)