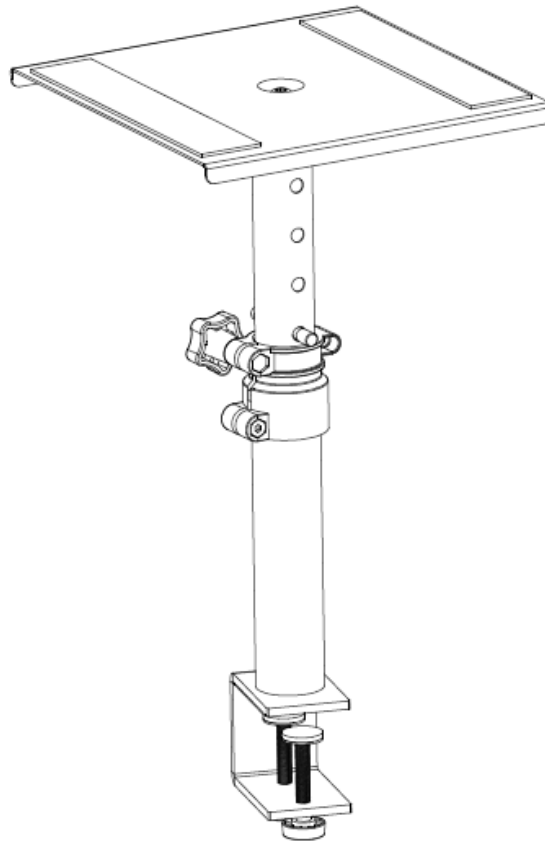


Pronomic SLS-36K BK monitor table stand with clamp

ArtNo.: 00080068



Version: 08.2021

© 2020

These operating instructions are protected by copyright. Reproduction of these operating instructions, even in part, is only permitted with the consent of Musikhaus Kirstein GmbH. The same applies to the reproduction or copying of images, even in modified form.

Thank you for choosing our universal mount.
To ensure that you are fully satisfied with
this product, please read carefully and understand this instruction manual before using our
product.



Observe the operating instructions!



WARNING

The signal word **WARNING** indicates hazards that can lead to serious injuries if no precautionary measures are taken.



NOTE

The signal word **NOTE** indicates general precautions that should be observed when handling the product.



NOTE

Images and screen representations in this manual may differ slightly from the appearance of the actual product, as long as this does not negatively affect the technical characteristics and safety of the product.



NOTE

All person-related formulations in these operating instructions are to be regarded as gender-neutral.

These operating instructions apply to persons who have been supervised or instructed in the operation of the article by a person responsible for their safety.



WARNING

**Children should be supervised when playing with the product.
Do not leave children unattended.**

All information in these operating instructions has been checked to the best of our knowledge and belief. However, neither the author nor the publisher can be held liable for any damages in connection with the use of these operating instructions.

Other product, brand and company names mentioned in this document may be the trademarks of their respective owners. Compliance with all applicable copyright laws is the responsibility of the user of this document.



WARNING

Detailed safety instructions for use:

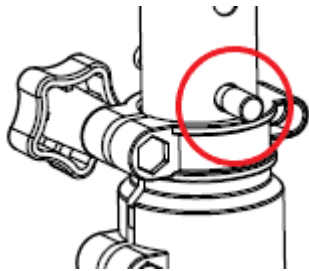
Please observe the following safety instructions to avoid malfunction, damage or injury:

Please familiarize yourself with the entire manual before assembly and use. Contact the dealer if you have any questions.

WARNING

Use with speakers or monitor boxes that exceed the total allowable weight may result in damage or possible injury.

- The supporting surfaces should be able to safely withstand the entire weight of equipment and any additional components.
- Use only the supplied screws and tighten the screws sufficiently so that the bracket is stable and cannot cause vibration or noise when in use.
- This product may be damaged (weathering, rust, etc.) if used outdoors. After outdoor use, be sure to dry and clean all parts of the tripod.
- The surface must be suitable for the use of the tripod. Clear the surface of objects and dirt before use.
- **Always** use the safety split pin (see illustration) to make stability even safer. The safety split pin must rest firmly on the guide tube to prevent unwanted vibration and noise when using speaker cabinets.



- Only use the stand with speakers that do not have a larger support surface than the upper support panel. There is a risk of tipping and falling.
- Make sure that the speaker is stable on the support surface.
- Ensure that small children do not play within the range of use of the stands, as falling speakers or monitor boxes can cause serious injury.
- This product contains small parts that may present a choking hazard if swallowed. Keep these parts away from children.

All specifications and appearances are subject to change without notice. All information was correct at the time of going to press. Musikhaus KIRSTEIN GmbH does not warrant the accuracy or completeness of the descriptions, photographs or statements contained in this manual. Printed colors and specifications may vary slightly from the product. Products of Musikhaus KIRSTEIN GmbH are sold only through authorized distributors. Distributors and dealers are not representatives of Musikhaus KIRSTEIN GmbH and are not authorized to legally bind Musikhaus KIRSTEIN GmbH in any way.