

STAGECAPTAIN

— STRONG  THINGS —

Stagecaptain PCM-1200 HA Popcorn Machine



Operating instructions

Version 12/2022 / Item No.: 00080484

Thank you for choosing this product.

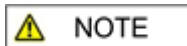
To ensure that you are fully satisfied with this product, please read carefully and understand this instruction manual before using our product. Keep this instruction manual in a safe place. The operating instructions must be passed on to all subsequent users.



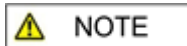
Observe the operating instructions!



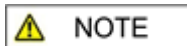
The signal word **WARNING** indicates hazards that can lead to serious injuries if no precautionary measures are taken.



The signal word **NOTE** indicates general precautions that should be observed when handling the product.



Images and screen representations in this manual may differ slightly from the appearance of the actual product, as long as this does not negatively affect the technical characteristics and safety of the product.



All person-related formulations in these operating instructions are to be regarded as gender-neutral.

These operating instructions apply to persons who have been supervised or instructed in the operation of the device by a person responsible for their safety and who have proven that they can handle the device.

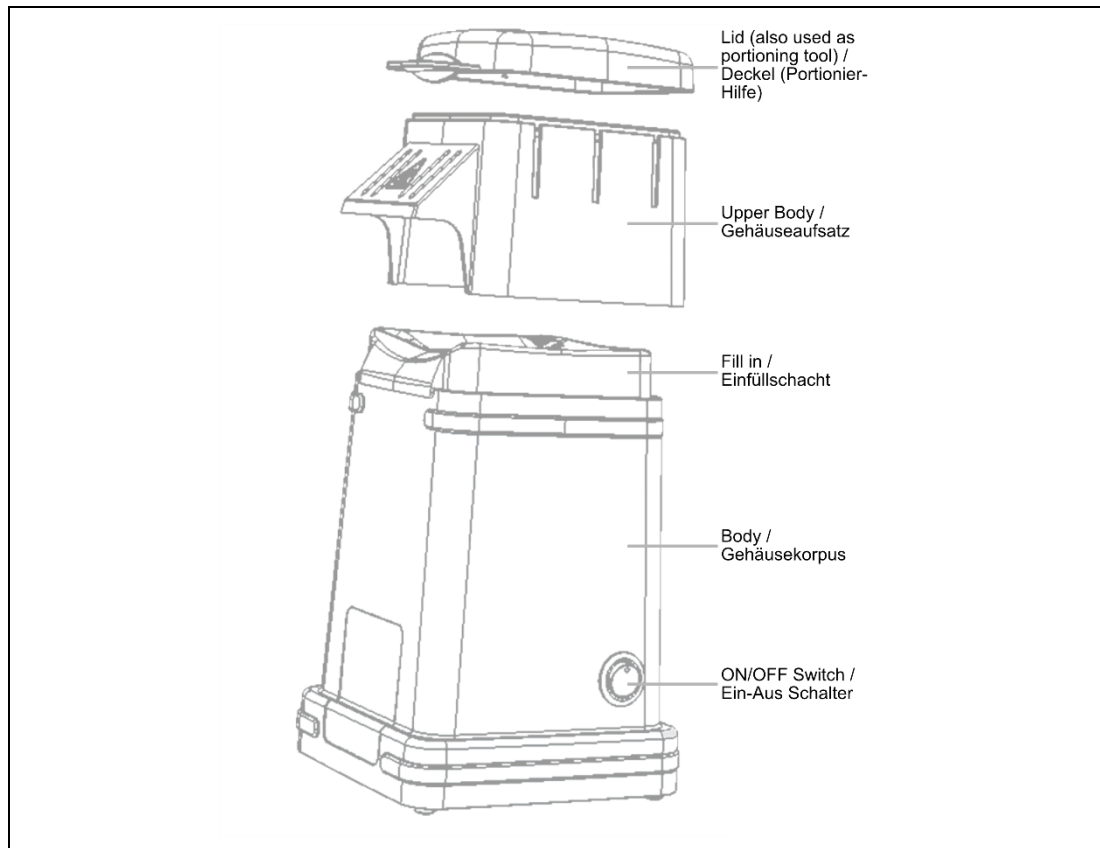


**Children should be supervised to ensure that they do not play with the appliance.
Do not leave children unattended.**

All information in these operating instructions has been checked to the best of our knowledge and belief. However, neither the author nor the publisher can be held liable for any damages in connection with the use of these operating instructions.

Other product, brand and company names mentioned in this document may be the trademarks of their respective owners. Compliance with all applicable copyright laws is the responsibility of the user of this document.

Product description



1. ON/OFF Switch
2. Housing body
3. Fill in
4. Upper body
5. Lid (also used as portioning tool) / Lid (portioning aid)

Making popcorn

Before you use the popcorn machine for the first time with corn, we strongly recommend that you heat up the machine once. Switch on the machine (without corn in the filling container) and let it heat up for 2-3 minutes. Now switch off, let the machine cool down and then clean it as described in the section "Cleaning/Care".

NOTE

A slight plastic smell is normal during this first heating process due to the manufacturing process. This will disappear after a few seconds.

Preparation

The lid of the appliance also serves as a portioning aid. Fill the lid. Be careful not to exceed the line that indicates the maximum amount of popcorn. Too much popcorn in the container can cause the corn not to pop or "clog" the machine during ejection.

Fill the contents of the lid into the feed chute. **DO NOT** use OIL, fat, sugar, butter or similar additives for preparation in this container.

Place the Plexiglas cover on the body of the housing and press the cover onto the top of the cover.

Place a sufficiently large bowl or a suitable container in front of the ejector nose. We recommend a large container because the resulting popcorn comes out of the ejector with "momentum".

Now switch on the machine at the power switch on the body of the housing. You will now hear a "hairdryer-like sound". The hot air that is released provides a popping of the corn kernels. Within approx. 2-4 minutes, depending on the filling quantity, fresh popcorn should be produced and ejected.

Tip: use rather smaller corn kernels for best results. It is normal that some kernels do not pop during preparation. These can be used again for the next portion.

Switch the appliance off again when the preparation process is complete and pour any grains that have not popped out of the appliance. Allow the appliance to cool down for approx. 8-10 minutes before preparing further portions.

Care and cleaning

Switch off the appliance and disconnect the mains plug. If you had prepared popcorn, let the popcorn machine cool down. The outer surface of the housing can be cleaned with a slightly damp cloth. The removable parts such as the lid and the Plexiglas attachment can be cleaned with a soft sponge, a dishcloth or warm rinsing water.



The popcorn machine and its parts are **NOT** suitable for the dishwasher

Power supply

Before using the device, make sure that your mains voltage matches the voltage indicated on the device.

Check that the mains voltage is 220-240 V ~ 50/60 Hz. (power consumption 1200 watts). Use of voltages other than those specified may cause irreparable damage to the appliance. The appliance must be connected directly to the mains. Do not use a dimmer or adjustable power supply.

Purpose

This device is intended for indoor use only. The warranty does not apply to equipment used for professional use.

Safety



Before assembling or disassembling the unit, make sure that the power cord is not connected to the mains.



Make sure that the device is positioned so that no one can trip over the power cord.

- NEVER immerse the device in water;
- NEVER use near water;
- Ensure sufficient distance to other heat sources such as ovens, toasters, stove tops or coffee machines.
- NEVER use a scouring pad or scouring cloth for cleaning. Read the special cleaning/care instructions later in the manual.
- NEVER leave the appliance unattended during operation;
- Unplug the appliance from the wall outlet when not in use and when you want to clean it;
- DO NOT operate the unit with a damaged cord or plug;
- Have repairs carried out only by an authorised specialist
- The appliance is approved for domestic indoor use only.

- Keep the lid of the unit closed while making the popcorn;
- To protect against electric shock, do not immerse the cord, plug, or any part of the apparatus in water or any other liquid;
- Unplug the appliance from the wall outlet when not in use, before removing any parts, and before cleaning the appliance;
- DO NOT operate the unit with a damaged cord or plug, or if the unit has been damaged in any way. Return the unit to the nearest repair facility for inspection or repair;
- DO NOT use the device for any purpose other than its intended use;
- An appliance plugged into a wall outlet must not be left unattended during operation;
- Check the filling container for foreign objects before use;
- If the power cord is damaged, it must be replaced by the manufacturer, its service agent or a similarly qualified person to avoid a hazard;

WEEE Declaration (Waste of Electrical and Electronic Equipment)

Your product has been designed and manufactured using high quality materials and components that are recyclable and reusable. The symbol means that your product must be disposed of separately from household waste at the end of its life. Dispose of this product at your local collection or recycling point. Please help protect the environment in which we all live.

Legal notice

These operating instructions are protected by copyright. Reproduction of these operating instructions, even in part, is only permitted with the consent of Musikhaus Kirstein GmbH. The same applies to the reproduction or copying of images, even in modified form.

All specifications and appearances are subject to change without notice. All information was correct at the time of going to press. Musikhaus Kirstein GmbH does not warrant the accuracy or completeness of the descriptions, photographs or statements contained in this manual. Printed colors and specifications may vary slightly from the product. Products of Musikhaus Kirstein GmbH are sold only through authorized distributors. Distributors and dealers are not representatives of Musikhaus Kirstein GmbH and are not authorized to legally bind Musikhaus Kirstein GmbH in any way.

 **KIRSTEIN.de**

Musikhaus Kirstein GmbH

Bernbeurener Str. 11

86956 Schongau – Germany

Telefon/Phone: 0049-8861-909494-0

Telefax/Fax: 0049-8861-909494-19

