

# STAGECAPTAIN

— STRONG  THINGS —

## Stagecaptain EBBQ-2000 Multi Electric Grill 3 in 1

ArtNr.: 00077930



## Operating manual

Version -05-2021

Thank you for purchasing this product. To ensure you will be completely satisfied with this product, read and understand this manual carefully before use. Keep the manual in a safe place. The Operating Manual must be passed on to all subsequent users.



Follow the Operating Manual!



**WARNING**

The signal word **WARNING** identifies hazards, which can result without precautions in serious injury.



**NOTE**

The signal word **NOTE** indicates general precautions, which should be observed in handling the product.



**NOTE**

Images used in this manual may differ slightly from the actual product, as long as it has no adverse effect on the properties and safety of the product.



**NOTE**

All personal formulations in these instructions are to be considered gender neutral.

These operating instructions apply to persons who have been supervised or instructed in the operation of the unit by a person responsible for their safety and who have proven to be able to handle the unit.



**WARNING**

**Children should be supervised to ensure that they do not play with the unit. Do not leave the children unattended.**

All information contained in this Operating Manual is accurate to the best of our knowledge and belief. Neither the author nor the publisher, however, can be held liable for damages or losses that arise in connection with the use of this Operating Manual.

Other product, brand or company designations specified in this document are possibly the trademarks of their respective owners. Compliance with all applicable copyright laws is the responsibility of the user of this document.

## Warning notes:



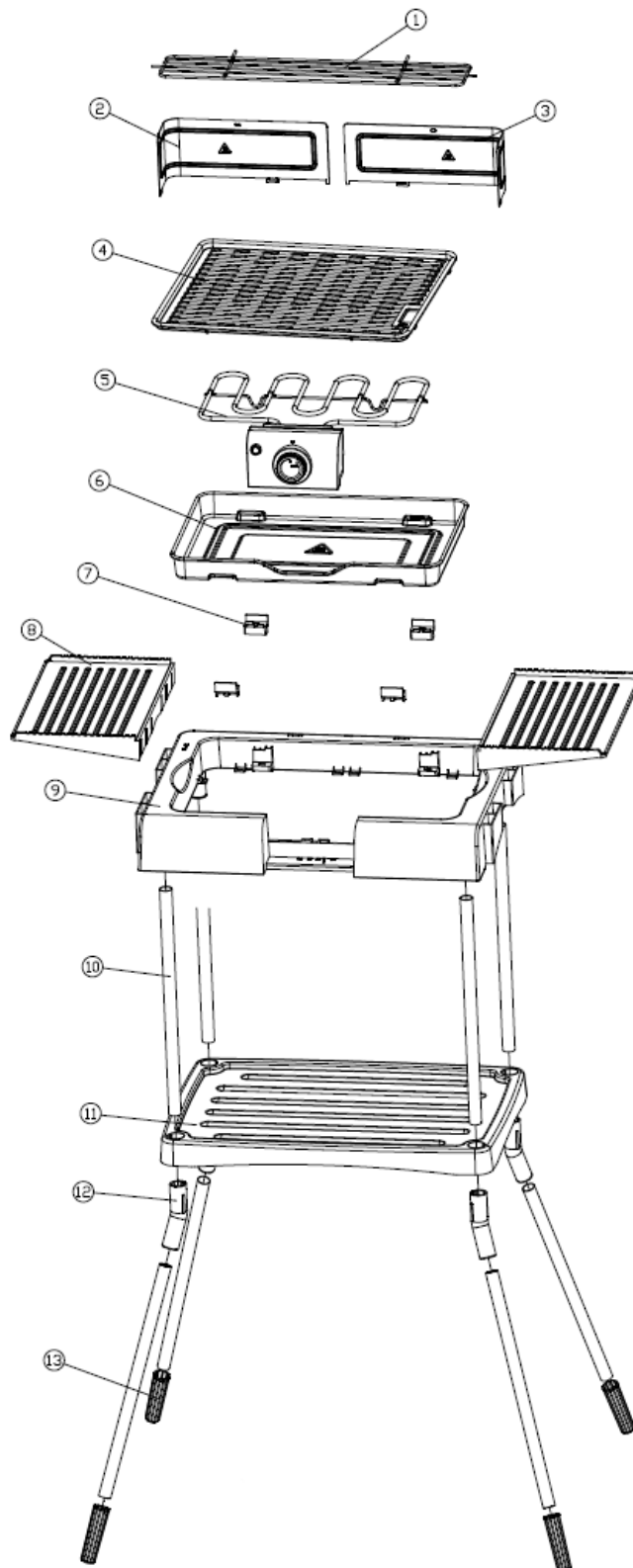
Since there is always a certain risk of electric shock with electrical devices, which can lead to life-threatening injuries, we ask you to observe the following safety instructions without fail.

- Please familiarize yourself carefully with the operating instructions before using the device and keep the manual.
- The surfaces of the device become hot during use. Make sure to touch the device only at the handles or at the controller, otherwise there is a risk of burns. Never transport the device during use and always allow it to cool down before you are moving it.
- Connect the device only to AC power sources with the correct voltage as indicated on the safety label on the device.
- The device must not be operated if the mains cable is damaged, if the device shows visible damage, if the device should have fallen down or if moisture could have reached the electrical components.
- If in doubt, please have the device checked by a service center. The device and the associated cabling may only be repaired by an authorized service specialist.
- Ensure that persons, including children, who are not capable of using the device safely due to their physical, sensory or mental abilities or their inexperience or lack of knowledge, do not use the device without supervision or instruction by a responsible person.
- Children must be kept in mind to ensure that they do not play with the device.
- Do not leave the device unattended when the power plug is plugged in.
- Disconnect the power plug after use, before cleaning, and in case of any malfunction, and never use accessories that are not recommended by the manufacturer.
- Only insert the plug into a suitable socket.

 **WARNING**

- The power cord must not touch hot parts of the device and must not hang over the table.
- The appliance must not be used near gas flames or electrical appliances with an open heating coil or in a heated oven.
- Place the device on a heat-resistant surface with a safety distance of approx. 20 cm from wall surfaces or other objects.
- To avoid heat build-up, do not place the unit directly under kitchen cabinets or shelves.
- Usage other than for the intended purpose must be avoided.
- Never immerse the device in water and protect the supply line and electronics from moisture. There is a risk of electric shock.
- Make sure that no flammable parts are touching or near the device. If the device catches fire, disconnect the power plug immediately.
- Packaging materials, such as foils, do not belong in the hands of children. There is a risk of suffocation.
- In the event of misuse or incorrect operation, no liability can be accepted for any damage.
- If the power cord is or becomes damaged, it is imperative that it be replaced by the manufacturer or its customer service department or by a qualified technician in order to avoid danger.
- The device is to be used for normal household purposes only.

## Assembly and controls



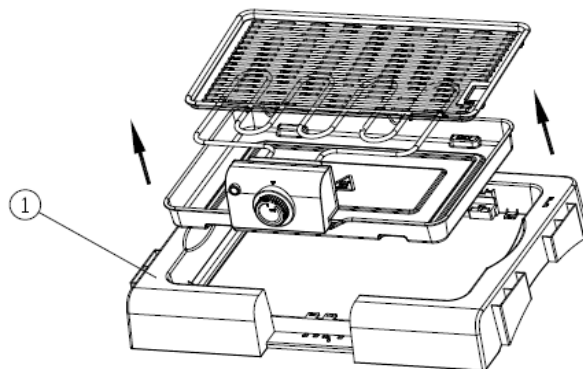
1	Small grate	8	Trays
2	Wind deflector	9	Housing
3	Wind deflector	10	Standpipes
4	Grill plate/grill grate	11	Shelf
5	Heating element	12	Connectors
6	Grease drip tray	13	Tube feet
7	Fixture of the grease drip tray		

**Power supply /Voltage: 220V-240V**

**Power: 1700W-2000W**

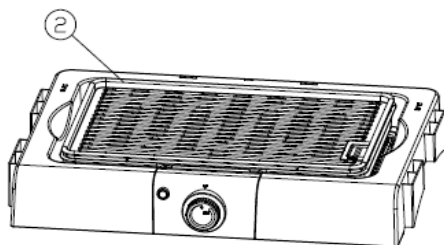
## Assembly

1	Assembly of the grill surface	3	Assembling the shelf
2	Putting on the grill plate		

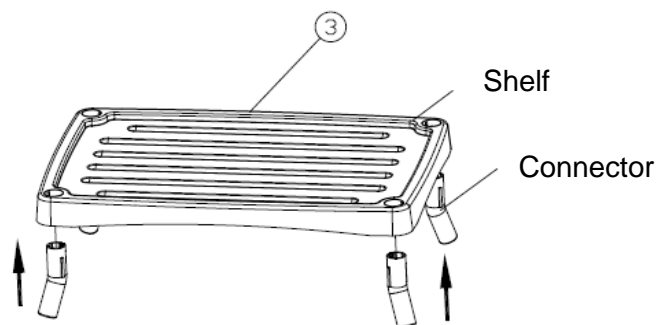


 **HINWEIS**

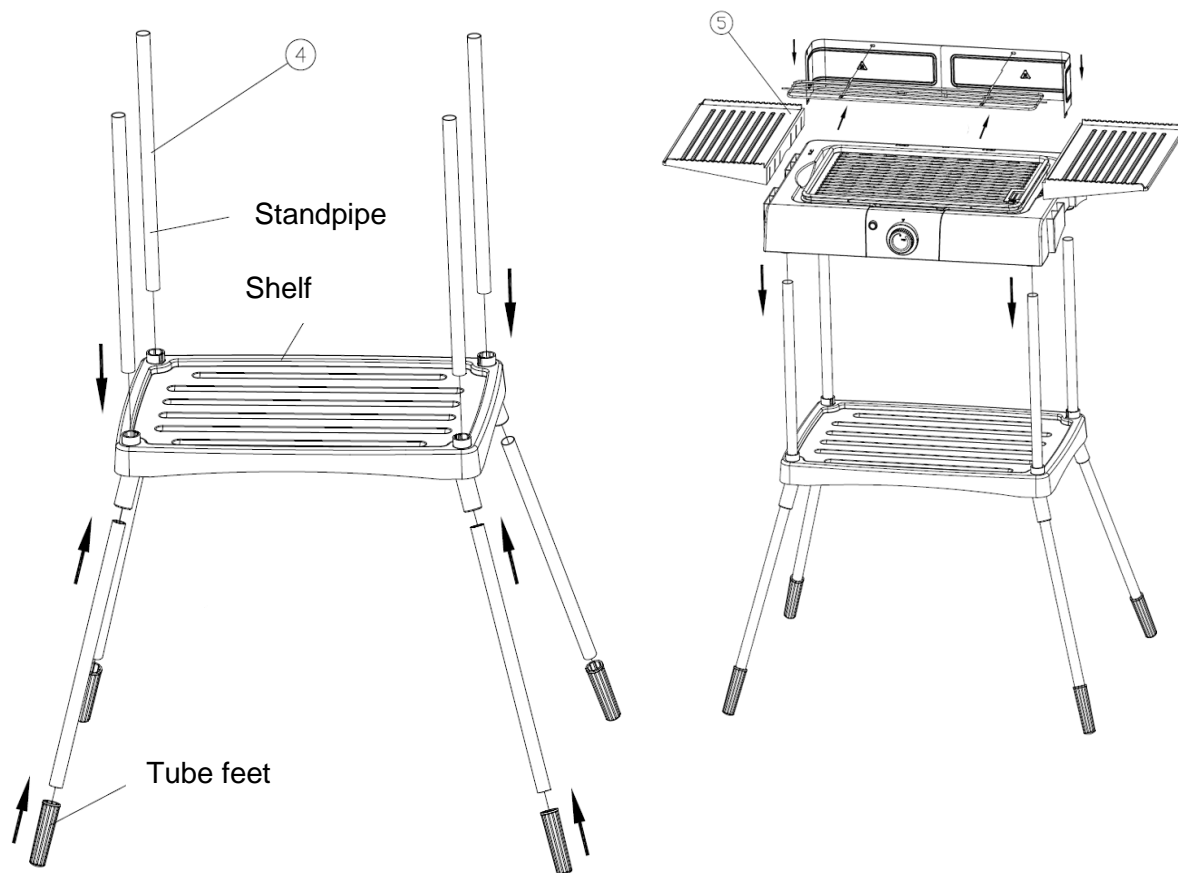
The parts shown here can be removed in the direction of the arrow for easier cleaning.



This is what the assembled table grill looks like.



Attach the connectors to the shelf.



**Attach all parts shown in the direction of the arrow!**



**Fill the grease drip tray with water up to the MAX mark before grilling!**

### **Important note**



**For hygienic reasons, the unit should be heated once without food before initial startup.**



## Operation

1. Remove any packaging material that may be present.
2. Mount the device as described.
3. Clean the large grate (5), the small grate (1) and the grease drip tray (6) with a damp cloth.
4. Fill the grease drip tray (6) with fresh water up to the MAX mark.



**Note: Always fill the grease drip tray (6) with water before use to prevent the formation of flames caused by grease from food. When using the device for the first time, there may be an odor caused by the materials used in the device. The odor is normal and disappears after a short time.**

5. Set the thermostat to the desired level: select low or medium temperature for heating or slow grilling, select MAX for fast cooking and grilling. The indicator light turns off when the desired temperature is reached.
6. Place the food directly on the large grate (4). Never use plates, bowls or aluminum foil that you place under the food to be grilled. The grilling time depends on the thickness of the food. Turn the food over from time to time.
7. After use, please turn the thermostat to "0" and unplug the power cord.

## Note on the heating element



**The heating element is equipped with a safety switch. This prevents the heating element from running outside the grill. If the heating element does not turn on, check the connection and that the heating element is correctly mounted in the housing.**

## Cleaning and care

- Disconnect the power plug from the socket before cleaning
- Make sure that no liquids penetrate the housing.
- Never immerse the table grill in water or other liquids.
- Do not use aggressive cleaning agents such as alkaline or chlorine-based cleaners and sharp or metallic cleaning utensils such as knives, hard scrapers or similar.

## Troubleshooting

<b>Problem</b>	<b>Possible cause</b>	<b>Solution</b>
The device does not heat up:	The device is not plugged in.	Insert the plug into a power outlet.
The device goes off by itself:	The device switches off because the thermostat has reached the desired temperature.	<ol style="list-style-type: none"> <li>1. As soon as the temperature falls below the set temperature, the thermostat automatically turns on again.</li> <li>2. Turn the thermostat to a higher temperature.</li> </ol>

**WEEE Declaration (English)**  
(Waste of Electrical and Electronic Equipment)

Your product has been designed and manufactured using quality materials and components that are recyclable and reusable. The symbol means that your product must be disposed separately from household waste at the end of its service life.

Dispose of this equipment at your local collection point or recycling center.

Please help to protect the environment in which we all live.

All specifications and appearances are subject to change without notice. All information was correct at time of printing. Musikhaus Kirstein GmbH does not guarantee for the accuracy or completeness of any description, photograph or statement contained in this manual. Printed colors and specifications may vary slightly from product. Products from Musikhaus Kirstein GmbH are only sold through authorized dealer. Distributors and dealers are not agents of Musikhaus Kirstein GmbH and have no authority to bind Musikhaus Kirstein GmbH legally in any way.

**WEEE-Erklärung (Deutsch)**

(Waste of Electrical and Electronic Equipment)

Ihr Produkt wurde unter Verwendung hochwertiger Materialien und Komponenten entwickelt und hergestellt, die recycelbar und wiederverwendbar sind. Das Symbol bedeutet, dass Ihr Produkt am Ende seiner Lebensdauer vom Hausmüll getrennt entsorgt werden muss. Entsorgen Sie dieses Gerät bei Ihrer örtlichen Sammelstelle oder Recyclingstelle.

Bitte helfen Sie mit, die Umwelt zu schützen, in der wir alle leben.

Alle technischen Daten und Erscheinungsbilder können ohne vorherige Ankündigung geändert werden. Alle Angaben waren zum Zeitpunkt der Drucklegung korrekt. Die Musikhaus Kirstein GmbH übernimmt keine Gewähr für die Richtigkeit oder Vollständigkeit der in diesem Handbuch enthaltenen Beschreibungen, Fotos oder Aussagen. Gedruckte Farben und Spezifikationen können geringfügig vom Produkt abweichen. Produkte der Musikhaus Kirstein GmbH werden nur über autorisierte Händler vertrieben. Distributoren und Händler sind keine Vertreter der Musikhaus Kirstein GmbH und nicht befugt, die Musikhaus Kirstein GmbH in irgendeiner Weise rechtlich zu binden.

 **KIRSTEIN.de**

**Musikhaus Kirstein GmbH**

**Bernbeurener Str. 11**

**86956 Schongau – Germany**

**Telefon/Phone: 0049-8861-909494-0**

**Telefax/Fax: 0049-8861-909494-19**

**86956 Schongau - Germany**

**Telefon/Phone: 0049-8861-909494-0**

**Fax/Fax: 0049-8861-909494-19**

